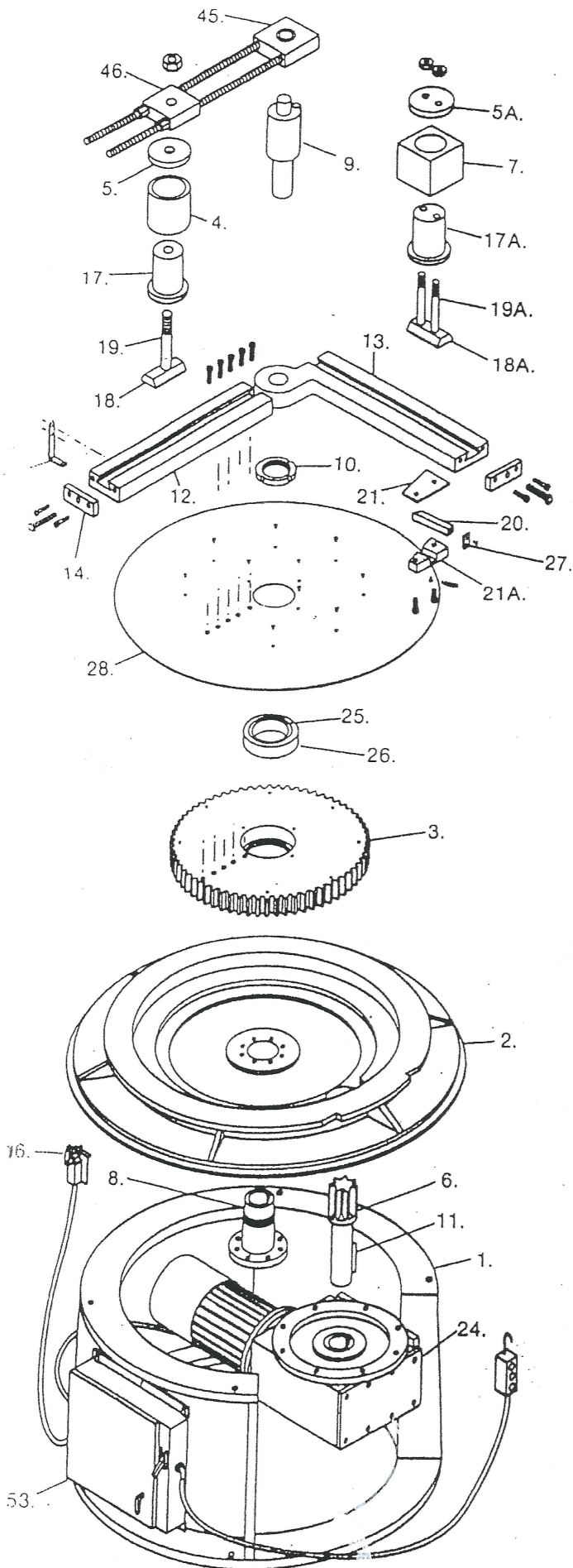


# B — SERIES

## PARTS LIST



1. Stand
2. Housing
3. Bull Gear
4. Roller
5. Roller Cap
- 5A. Stop Block Cap
6. Pinion
7. Stop Block
8. Spindle
9. Spindle Extension
10. Nut
11. Key
12. Bending Arm
13. Stop Arm
14. End Plate (2)
15. Tripper
16. Bracket
17. Roller Stud
- 17A. Stop Block Stud
18. Roller Slide
- 18A. Stop Block Slide
19. Roller Stud Bolt
- 19A. Stop Block Stud Bolt
20. Latch Pin
21. Latch Plate
- 21A. Latch Block
24. Gear Motor Drive
25. Roller Brg. Cone
26. Roller Brg. Cup
27. Latch Pin
28. Coverplate
45. Link Head
46. Link Saddle
53. Control Box

# PEDRICK

Established 1875

Phone: (856) 829-8900  
Fax: (856) 829-8902

**Tool & Machine Company, Incorporated**

• P.O. Box 190 • Riverton, New Jersey 08077  
Web: <http://www.pedrick.com> • E-Mail: [info@pedrick.com](mailto:info@pedrick.com)